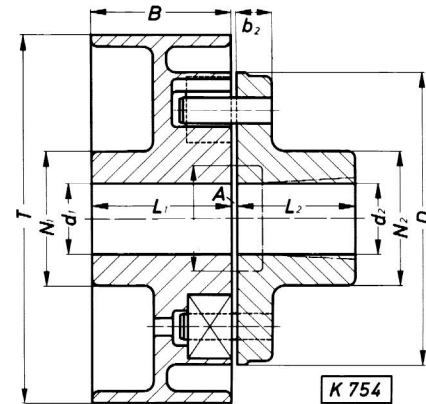


Type Kado **EH**

Ausführung 5 mit angelegener Bremsstrommel nach DIN 15 431
Kupplungen für den Anbau von Schreibeinbremsen auf Anfrage.



| Kupplungs- bezeichnung | Dyn. wuchten ab 1/min. | Max. Drehzahl | | D mm | Vor- bohrg. mm | Maximal Bohrungen | | | | L ₁ mm | L ₂ mm | A mm | T mm | B mm | b ₂ mm | N ₁ N ₂ mm | Paketbremsstrommel | | Bolzenscheibe 1-tlg. | |
|---------------------------|---------------------------------|-----------------|------------------|---------|----------------------|-------------------------------|-------------------------------|--------------------------------|--------------------------------|----------------------|----------------------|---------|---------|---------|----------------------|--|--------------------|---|----------------------|---|
| | | GG-25 1/min. | GGG-50 1/min. | | | GG-25 d ₁ mm | GG-25 d ₂ mm | GGG-50 d ₁ mm | GGG-50 d ₂ mm | | | | | | | | Gew. kg | Massen- trägheitsm. kg m ² | Gew. kg | Massen- trägheitsm. kg m ² |
| 0012 EH 5/200/75 | 2500 | 3440 | 5730 | 145 | 18 | 40 | 44 | 44 | 52 | 80 | 80 | 2-5 | 200 | 75 | 20 | 75 | 8,7 | 0,043785 | 4,3 | 0,008465 |
| 002 EH 5/200/75 | 2500 | 3440 | 5730 | 165 | 20 | 50 | 50 | 58 | 58 | 90 | 90 | 2-5 | 200 | 75 | 20 | 85 | 10,2 | 0,04972 | 5,9 | 0,01445 |
| 002 EH 5/250/95 | 2000 | 2750 | 4580 | 165 | 20 | 50 | 50 | 58 | 58 | 95 | 90 | 2-5 | 250 | 95 | 20 | 85 | 14,6 | 0,12170 | 5,9 | 0,01445 |
| 003 EH 5/200/75 | 2500 | 3440 | 5730 | 190 | 25 | 48 | 60 | 55 | 69 | 100 | 100 | 2-6 | 200 | 75 | 25 | 100 | 11,7 | 0,05197 | 9,7 | 0,03165 |
| 003 EH 5/250/95 | 2000 | 2750 | 4580 | 190 | 25 | 48 | 60 | 55 | 69 | 100 | 100 | 2-6 | 250 | 95 | 25 | 100 | 17,3 | 0,13647 | 9,7 | 0,03165 |
| 003 EH 5/315/118 | 1570 | 2180 | 3640 | 190 | 25 | 48 | 60 | 55 | 69 | 118 | 100 | 2-6 | 315 | 118 | 25 | 100 | 25 | 0,34097 | 9,7 | 0,03165 |
| 005 EH 5/250/95 | 2000 | 2750 | 4580 | 215 | 25 | 64 | 65 | 72 | 75 | 110 | 110 | 2-6 | 250 | 95 | 25 | 110 | 21 | 0,16052 | 12,5 | 0,05237 |
| 005 EH 5/315/118 | 1570 | 2180 | 3640 | 215 | 25 | 64 | 65 | 72 | 75 | 118 | 110 | 2-6 | 315 | 118 | 25 | 110 | 28 | 0,37702 | 12,5 | 0,05237 |
| 008 EH 5/315/118 | 1570 | 2180 | 3640 | 250 | 30 | 75 | 75 | 90 | 90 | 120 | 120 | 3-8 | 315 | 118 | 30 | 130 | 32 | 0,4057 | 19,5 | 0,1148 |
| 008 EH 5/400/150 | 1240 | 1720 | 2860 | 250 | 30 | 75 | 75 | 90 | 90 | 150 | 120 | 3-8 | 400 | 150 | 30 | 130 | 48 | 0,1013 | 19,5 | 0,1148 |
| 012 EH 5/315/118 | 1570 | 2180 | 3640 | 280 | 35 | 85 | 85 | 95 | 95 | 140 | 140 | 3-8 | 315 | 118 | 30 | 140 | 39 | 0,4784 | 25 | 0,1862 |
| 012 EH 5/400/150 | 1240 | 1720 | 2860 | 280 | 35 | 85 | 85 | 95 | 95 | 150 | 140 | 3-8 | 400 | 150 | 30 | 140 | 53 | 1,0900 | 25 | 0,1862 |
| 02 EH 5/315/118 | 1570 | 2180 | 3640 | 310 | 40 | 90 | 90 | 103 | 103 | 140 | 140 | 3-8 | 315 | 118 | 30 | 150 | 41 | 0,4806 | 30 | 0,2696 |
| 02 EH 5/400/150 | 1240 | 1720 | 2860 | 310 | 40 | 90 | 90 | 103 | 103 | 150 | 140 | 3-8 | 400 | 150 | 30 | 150 | 59 | 1,1871 | 30 | 0,2696 |
| 02 EH 5/500/190 | 990 | 1370 | 2290 | 310 | 40 | 90 | 90 | 103 | 103 | 190 | 140 | 3-8 | 500 | 190 | 30 | 150 | 87 | 2,9147 | 30 | 0,2696 |
| 032 EH 5/400/150 | 1240 | 1720 | 2860 | 355 | 50 | 106 | 106 | 120 | 120 | 170 | 170 | 3-9 | 400 | 150 | 45 | 175 | 77 | 1,5620 | 54 | 0,6897 |
| 032 EH 5/500/190 | 990 | 1370 | 2290 | 355 | 50 | 106 | 106 | 120 | 120 | 190 | 170 | 3-9 | 500 | 190 | 45 | 175 | 101 | 3,1912 | 54 | 0,6897 |
| 05 EH 5/500/190 | 990 | 1370 | 2290 | 400 | 50 | 120 | 120 | 138 | 138 | 190 | 185 | 3-9 | 500 | 190 | 45 | 200 | 120 | 3,658 | 73 | 1,137 |
| 05 EH 5/630/236 | 790 | 1090 | 1820 | 400 | 50 | 120 | 120 | 138 | 138 | 236 | 185 | 3-9 | 630 | 236 | 45 | 200 | 175 | 8,824 | 73 | 1,137 |
| 08 EH 5/500/190 | 990 | 1370 | 2290 | 445 | 60 | 127 | 127 | 145 | 145 | 200 | 190 | 3-9 | 500 | 190 | 45 | 210 | 143 | 4,600 | 86 | 1,708 |
| 08 EH 5/630/236 | 790 | 1090 | 1820 | 445 | 60 | 127 | 127 | 145 | 145 | 236 | 190 | 3-9 | 630 | 236 | 45 | 210 | 188 | 9,368 | 86 | 1,708 |
| 1,25 EH 5/630/236 | 790 | 1090 | 1820 | 500 | 70 | 140 | 140 | 158 | 158 | 236 | 200 | 4-10 | 630 | 236 | 60 | 230 | 216 | 10,481 | 132 | 3,432 |
| 1,25 EH 5/710/265 | 700 | 970 | 1610 | 500 | 70 | 140 | 140 | 158 | 158 | 265 | 200 | 4-10 | 710 | 265 | 60 | 230 | 253 | 15,587 | 132 | 3,432 |
| 1,6 EH 5/630/236 | 790 | 1090 | 1820 | 555 | 80 | 145 | 145 | 165 | 165 | 236 | 210 | 4-10 | 630 | 236 | 60 | 240 | 256 | 13,225 | 164 | 5,487 |
| 1,6 EH 5/710/265 | 700 | 970 | 1610 | 555 | 80 | 145 | 145 | 165 | 165 | 265 | 210 | 4-10 | 710 | 265 | 60 | 240 | 287 | 17,677 | 164 | 5,487 |
| 1,6 EH 5/800/300 | 620 | 860 | 1430 | 555 | 80 | 145 | 145 | 165 | 165 | 300 | 210 | 4-10 | 800 | 300 | 60 | 240 | 337 | 26,369 | 164 | 5,487 |
| 2 EH 5/630/236 | 790 | 1090 | 1820 | 610 | 90 | 163 | 163 | 186 | 186 | 246 | 220 | 4-10 | 630 | 236 | 60 | 270 | 259 | 12,681 | 184 | 7,140 |
| 2 EH 5/710/265 | 700 | 970 | 1610 | 610 | 90 | 163 | 163 | 186 | 186 | 265 | 220 | 4-10 | 710 | 265 | 60 | 270 | 311 | 19,182 | 184 | 7,140 |
| 2 EH 5/800/300 | 620 | 860 | 1430 | 610 | 90 | 163 | 163 | 186 | 186 | 300 | 220 | 4-10 | 800 | 300 | 60 | 270 | 363 | 27,895 | 184 | 7,140 |
| 2,5 EH 5/710/265 | 700 | 970 | 1610 | 665 | 100 | 175 | 175 | 200 | 200 | 275 | 230 | 4-10 | 710 | 236 | 60 | 290 | 349 | 22,147 | 216 | 9,940 |
| 2,5 EH 5/800/300 | 620 | 860 | 1430 | 665 | 100 | 175 | 175 | 200 | 200 | 300 | 230 | 4-10 | 800 | 300 | 60 | 290 | 397 | 30,497 | 216 | 9,940 |